

Summer 1980

Appendix: Simplified Schematic of 1980 Florida Transmission Line Siting Act §§ 402-.520-403.535, F.S. and § 366.14, F.S.

Follow this and additional works at: <http://ir.law.fsu.edu/lr>



Part of the [Administrative Law Commons](#)

Recommended Citation

Appendix: Simplified Schematic of 1980 Florida Transmission Line Siting Act §§ 402-.520-403.535, F.S. and § 366.14, F.S., 8 Fla. St. U. L. Rev. i (2017).
<http://ir.law.fsu.edu/lr/vol8/iss3/10>

This Article is brought to you for free and open access by Scholarship Repository. It has been accepted for inclusion in Florida State University Law Review by an authorized editor of Scholarship Repository. For more information, please contact bkaplan@law.fsu.edu.

APPENDIX

**SIMPLIFIED SCHEMATIC OF 1980 FLORIDA
TRANSMISSION LINE SITING ACT
§§ 403.520-403.535, F.S.
and § 366.14, F.S.**

SUPPLEMENTARY SCHEDULE OF
1980 FORDIA TRANSMISSION
27 400,500 - 430,000, P.S.
and 4 300,400, P.S.

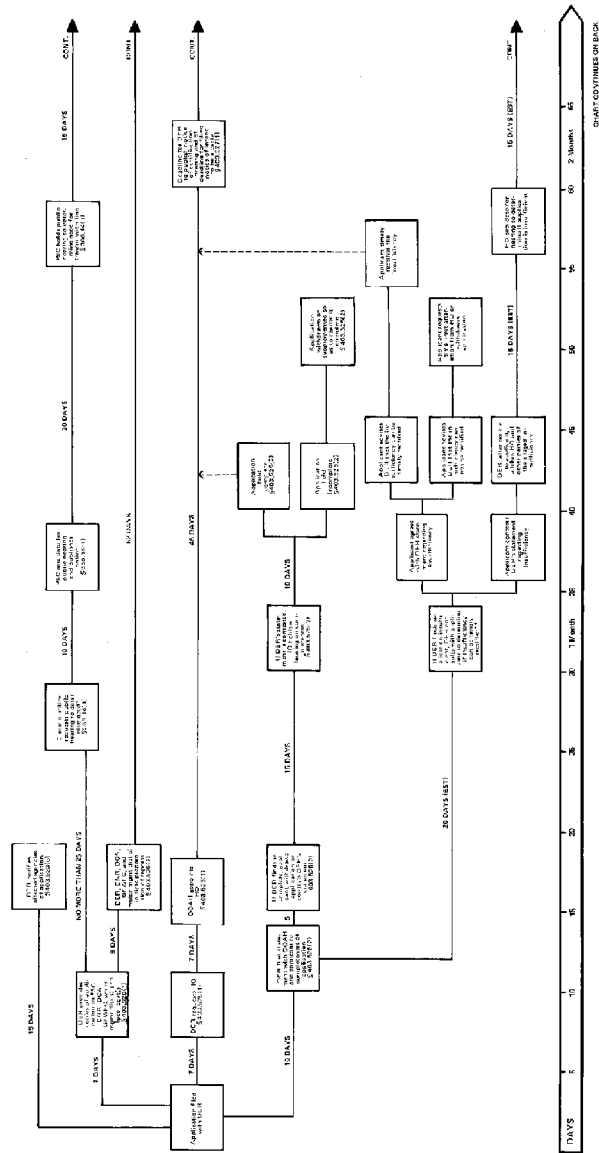
LEGEND

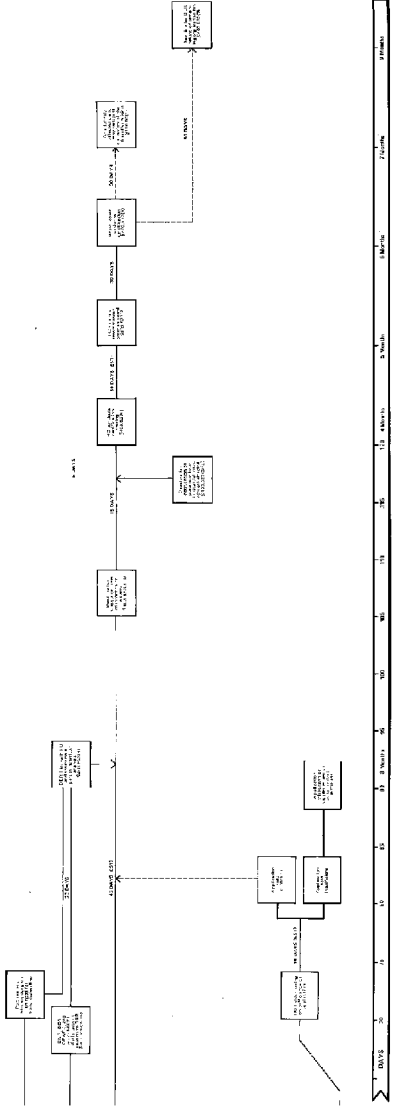
- DVARO - Government Action
- DE - Department of Commerce, Parks
- DC - Department of Conservation
- DEPT - Department of Energy
- DOH - U.S. Department of Health
- DOI - U.S. Department of Interior
- DOT - U.S. Department of Transportation
- OPRE - Office of Product Research
- OS - Office of State Operations
- PG - Public Service Commission
- PO - Health Officer

NOTES:

1. Where no time limits appear between boxes the transmission line indicates that the programmatic boxes are concurrent.
2. All time limits may be altered by other actions occurring in accordance with 402.82.
3. Certain time limits are approximate times since they depend on the occurrence of certain events.
4. All time limits within brackets indicate times between activities in cases where dates were indicated.

* The PG may schedule the publication of the actual program for DRR's reference to determine the date for the initiation of activities. The actual publication dates may differ from those indicated in this schedule. The PG's determination of the actual dates may be subject to change. For a copy of the actual schedule, contact the PG's Office of Product Research, 27000 S.W. Parkway, Portland, Oregon 97005-2993.





01/20/2023